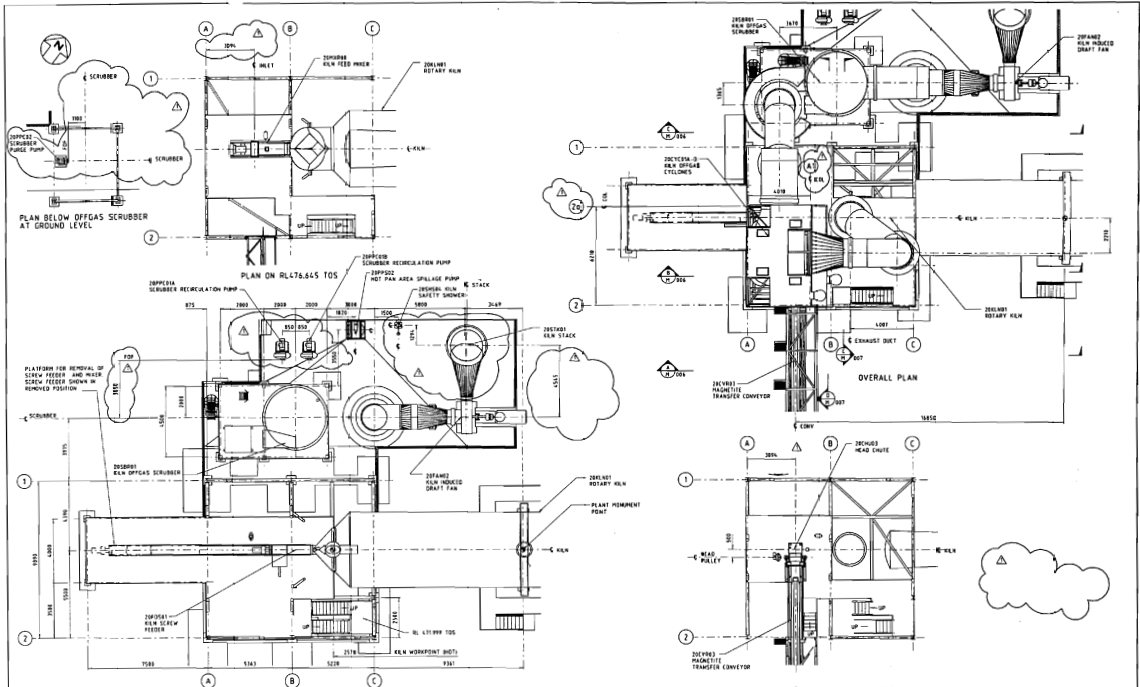


PO3 GENERATED 3D FILE

REV	DESCRIPTION	DATE	BY	CHK	DATE	APP	PROJECT	SCALE
1	ISSUE FOR CONSTRUCTION	20.11.99	W. JAMES	M. JAMES	20.11.99			
2	REVISIONS - KILN ENRICHMENT - PLAN AND ELEVATION							
3	ISSUE FOR CONSTRUCTION							

PROJECT	CLIENT	DATE	SHEET NO.
ROASTY KILN	MINERAL PROCESSING	20.11.99	01
DESIGNER	CHECKER	DRAWN	SCALE
M. JAMES	M. JAMES	M. JAMES	1:1
APPROVED	DATE	BY	CHK
M. JAMES	20.11.99	M. JAMES	M. JAMES

ROASTY KILN	ROASTY KILN
ISOMETRIC	ISOMETRIC
3514-00-11-001	3514-00-11-001
ISSUED FOR CONSTRUCTION	ISSUED FOR CONSTRUCTION



POS GENERATED 3D FILE

PLAN ON RL 474.215 TOS AND BELOW

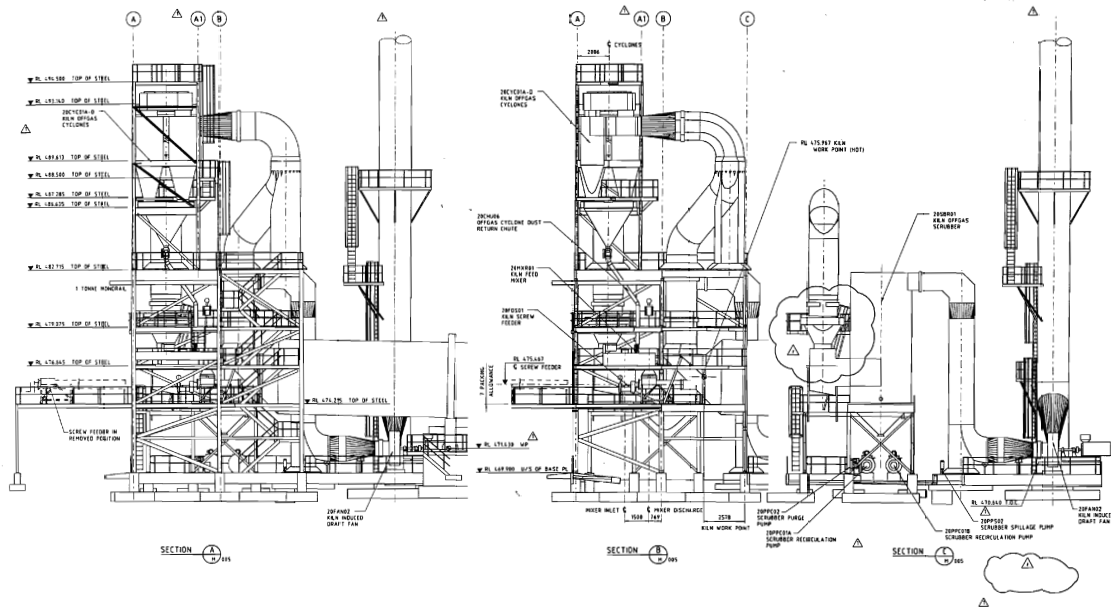
PLAN ON RL 479.075 TOS

NO.	REV.	DESCRIPTION	DATE	BY	CHECKED	DATE	BY	SIGNATURE	REVISION
			DATE	BY	DATE	BY			
1		ISSUED FOR CONSTRUCTION	10/10/05	A. SIMPSON	A. SIMPSON	10/10/05	A. SIMPSON		
2		ISSUED FOR CONSTRUCTION	10/10/05	A. SIMPSON	A. SIMPSON	10/10/05	A. SIMPSON		

SIGNET ENGINEERING PTY. LTD.
 600 WEST STREET, A.C.N. 001 051 200
 MELB. VIC. 3004, AUSTRALIA
 TEL: (03) 9492 5100 FAX: (03) 9492 5101
 WWW.SIGNET.COM.AU
 SIGNET ENGINEERING PTY. LTD. IS AN ISO 9001 REGISTERED COMPANY.
 SIGNET ENGINEERING PTY. LTD. IS AN ISO 14001 REGISTERED COMPANY.
 SIGNET ENGINEERING PTY. LTD. IS AN ISO 45001 REGISTERED COMPANY.

CLIENT	YANAMON AUSTRALIA PTY. LTD. MELB. VIC. 3004, AUSTRALIA
PROJECT	ROASTING KLM FEED ARRANGEMENT SHEET 1 - PLANS
DRAWN	BY: A. SIMPSON
CHECKED	BY: A. SIMPSON
DATE	10/10/05
SCALE	AS SHOWN
PROJECT NO.	3516.24-M-005
SHEET NO.	1/1

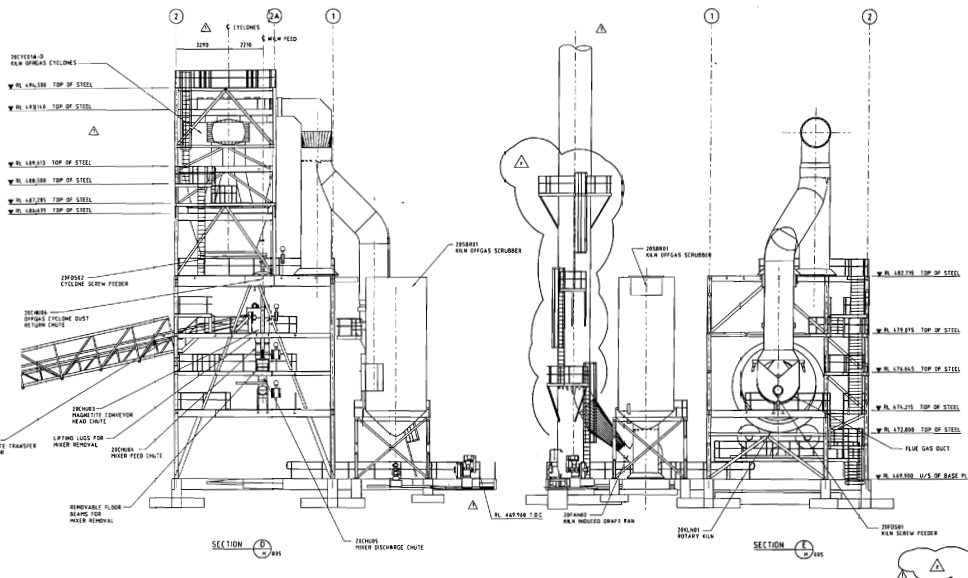
ORIGINAL ABC



PDF GENERATED TO FILE

NO.	REV.	DATE	BY	CHKD.	DESCRIPTION	NO.	REV.	DATE	BY	CHKD.	DESCRIPTION
1					ISSUED FOR CONSTRUCTION	1					
2					REVISED TO SHOW CHANGES	2					
3					REVISED TO SHOW CHANGES	3					
4					REVISED TO SHOW CHANGES	4					
5					REVISED TO SHOW CHANGES	5					
6					REVISED TO SHOW CHANGES	6					
7					REVISED TO SHOW CHANGES	7					
8					REVISED TO SHOW CHANGES	8					
9					REVISED TO SHOW CHANGES	9					
10					REVISED TO SHOW CHANGES	10					
11					REVISED TO SHOW CHANGES	11					
12					REVISED TO SHOW CHANGES	12					
13					REVISED TO SHOW CHANGES	13					
14					REVISED TO SHOW CHANGES	14					
15					REVISED TO SHOW CHANGES	15					
16					REVISED TO SHOW CHANGES	16					
17					REVISED TO SHOW CHANGES	17					
18					REVISED TO SHOW CHANGES	18					
19					REVISED TO SHOW CHANGES	19					
20					REVISED TO SHOW CHANGES	20					
21					REVISED TO SHOW CHANGES	21					
22					REVISED TO SHOW CHANGES	22					
23					REVISED TO SHOW CHANGES	23					
24					REVISED TO SHOW CHANGES	24					
25					REVISED TO SHOW CHANGES	25					
26					REVISED TO SHOW CHANGES	26					
27					REVISED TO SHOW CHANGES	27					
28					REVISED TO SHOW CHANGES	28					
29					REVISED TO SHOW CHANGES	29					
30					REVISED TO SHOW CHANGES	30					
31					REVISED TO SHOW CHANGES	31					
32					REVISED TO SHOW CHANGES	32					
33					REVISED TO SHOW CHANGES	33					
34					REVISED TO SHOW CHANGES	34					
35					REVISED TO SHOW CHANGES	35					
36					REVISED TO SHOW CHANGES	36					
37					REVISED TO SHOW CHANGES	37					
38					REVISED TO SHOW CHANGES	38					
39					REVISED TO SHOW CHANGES	39					
40					REVISED TO SHOW CHANGES	40					
41					REVISED TO SHOW CHANGES	41					
42					REVISED TO SHOW CHANGES	42					
43					REVISED TO SHOW CHANGES	43					
44					REVISED TO SHOW CHANGES	44					
45					REVISED TO SHOW CHANGES	45					
46					REVISED TO SHOW CHANGES	46					
47					REVISED TO SHOW CHANGES	47					
48					REVISED TO SHOW CHANGES	48					
49					REVISED TO SHOW CHANGES	49					
50					REVISED TO SHOW CHANGES	50					

ORIGINAL Dwg



PDF GENERATED 30 FILE

NO.	REV.	DATE	BY	CHKD.	DESCRIPTION
1					
2					
3					
4					
5					
6					
7					
8					
9					
10					
11					
12					
13					
14					
15					
16					
17					
18					
19					
20					
21					
22					
23					
24					
25					
26					
27					
28					
29					
30					
31					
32					
33					
34					
35					
36					
37					
38					
39					
40					
41					
42					
43					
44					
45					
46					
47					
48					
49					
50					
51					
52					
53					
54					
55					
56					
57					
58					
59					
60					
61					
62					
63					
64					
65					
66					
67					
68					
69					
70					
71					
72					
73					
74					
75					
76					
77					
78					
79					
80					
81					
82					
83					
84					
85					
86					
87					
88					
89					
90					
91					
92					
93					
94					
95					
96					
97					
98					
99					
100					

SICKET ENGINEERING PTY. LTD.
 50 GREAT STREET, S.I.A. BOX 45170
 MELB. VIC. 3008

ALLEN, YANDRUP AUSTRALIA PTY LIMITED
 PROJECT, YANDRUP AUSTRALIA PROJECT

**ROASTING
 KILN FEED ARRANGEMENT
 SHEET 3 - END ELEVATIONS**

DATE: 08/01/88
 DRAWN BY: [Name]
 CHECKED BY: [Name]

ORIGINAL MARKED
 35/18 89/18/20P

DIGITAL DDA